

EC

55

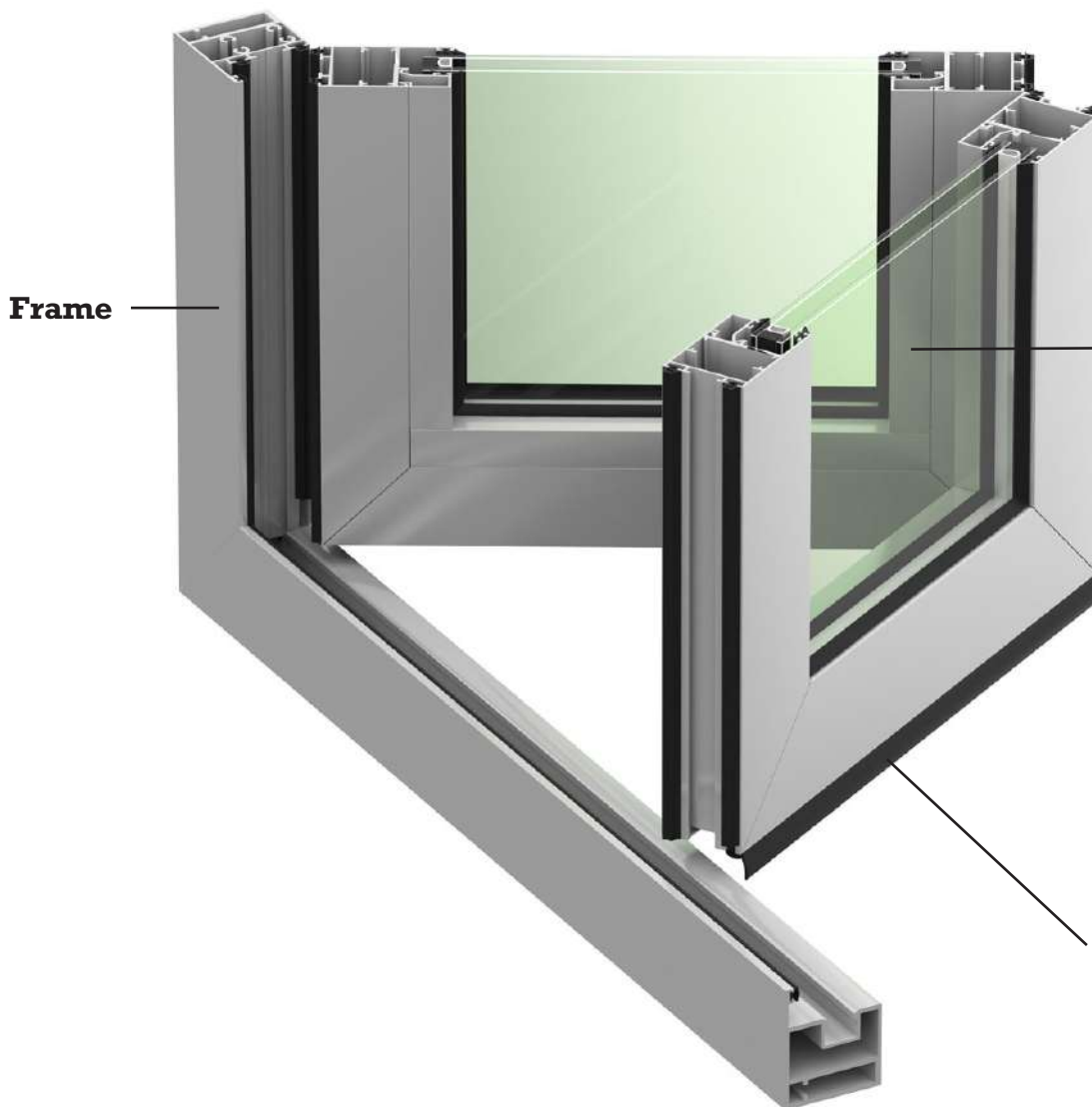
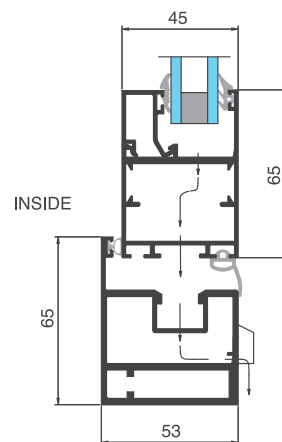
Elegant residential
bi-fold system


Thermeco

Windows for meaningful living.

EC55

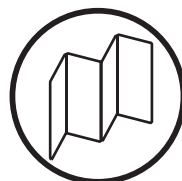
Thermeco's bi-fold solution is a perfect way to connect and enhance the inside living and outside entertaining areas.



Single or Double Glazing
Excellent thermal & acoustic insulation available in a range of up to 30mm thickness to suit installation requirement.

Gaskets
Made from EPDM provides initial protection for wind & water penetration.

Opening Styles



Style	Bi-Fold Doors
Max Width	900
Max Height	3000
Max Weight (kg)	80



Build: Di Nezza Developments



Design: LSA Architects | Build: Project Build



Design: LSA Architects | Build: Project Build

Features & Benefits



Low maintenance



Maximum wind and water tightness



Increased airflow & greater ventilation control



Multi-position locking for added strength & security



Long lasting & corrosion resistant



Beauty & design

Energy Rating WERS



Glazing	U	SHGC
6mm Clear Toughened / 12mm Argon / 6mm Clear Toughened	3.7	0.52
6mm Energy Tech / 12mm Argon / 6mm Clear Toughened	3.1	0.45
6mm Performa Tech / 12mm Argon / 4mm Clear Toughened	2.9	0.24
6mm Insulmax 564 / 12mm Argon / 6mm Clear Toughened	2.9	0.21
6mm Sunergy Clear / 12mm Argon / 6mm Clear Toughened	3.3	0.38
6.38mm Clear ComfortPlus / 12mm Argon / 6mm Clear Toughened	3.1	0.45
6mm LightBridge / 12mm Argon / 6mm Clear Toughened	3.0	0.43



Design: Damian Orlando | Build: Salerno Homes

A look into world class windows.



Build: Di Nezza Developments



Design: Damian Orlando | Build: Salerno Homes



Build: Di Nezza Developments

Authorised Fabricator

Thermeco
Windows for meaningful living.

15 Kelletts Road, Rowville
3178, Victoria, Australia
Phone: 03 9763 1089
Fax: 03 9923 6263
windows@thermeco.com.au

Members of:



*The images displayed on this brochure may not always exactly relate to the specified series and are used as representation only.