

EC

115

TB

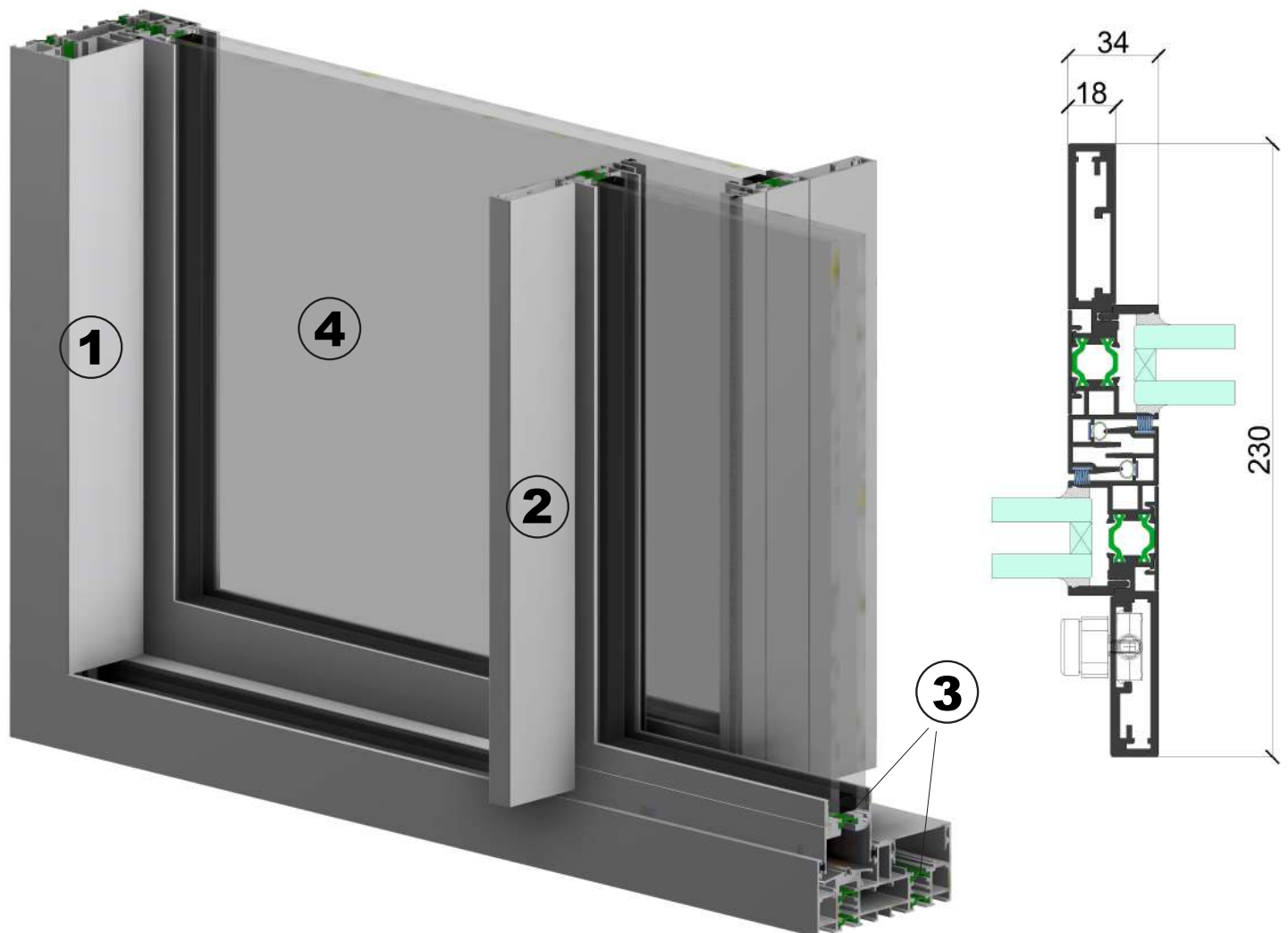
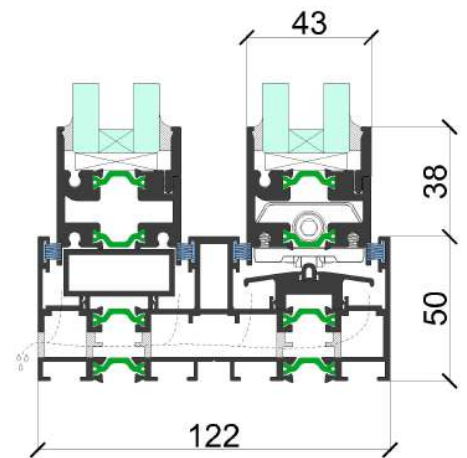
Thermally broken Slimline
residential sliding door
and window system.


Thermeco

Windows for meaningful living.

EC115TB

Enjoy more of the things you love with less visible obstruction. Designed to blur the line between what is inside the comfort of your home and your outside area, the Slimline sliding doors system will change the way you live and entertain. Designed with energy efficiency in mind, the Slimline does not compromise on aesthetics and functionality by offering a wide array of opening configurations. Let all the light you want enter your home without draining your budget artificially heating or cooling your dwelling and saving the environment.



1. Frame

50mm wide thermally broken aluminum frame.
Can be concealed.

2. Interlock

Slimline strengthening interlock.

3. Thermal Break

Effective barrier reduces transmission of heat, cold & noise.








4. Double Glazing

Excellent thermal & acoustic insulation available in a range of up to 32mm thickness to suit installation requirement.



*Image above is an example only and depicts proposed application.

Features & Benefits

-  Max weight capacity 750kg
-  Max panel size 8.5m²
-  Super efficient thermal insulation
-  Increased airflow & greater ventilation control
-  Australian owned & manufactured
-  Multi-position locking for added security & strength
-  Low maintenance
-  Maximum wind and water tightness
-  Beauty & design
-  Energy savings

Energy Rating WERS



Glazing	U	SHGC
6mm Clear Toughened / 20mm Argon / 6mm Clear Toughened	3.4	0.65
6mm Energy Tech / 20mm Argon / 6mm Clear Toughened	2.6	0.56
6mm Performa Tech / 12mm Argon / 4mm Clear Toughened	2.4	0.30
6mm Insulmax 564 / 20mm Argon / 6mm Clear Toughened (Grey)	2.4	0.25
6mm Eantage / 20mm Argon / 6mm Clear Toughened	2.7	0.51
6.38mm Clear ComfortPlus / 20mm Argon / 6mm Clear Toughened	2.6	0.55
6mm LightBridge / 20mm Argon / 6mm Clear Toughened	2.5	0.50



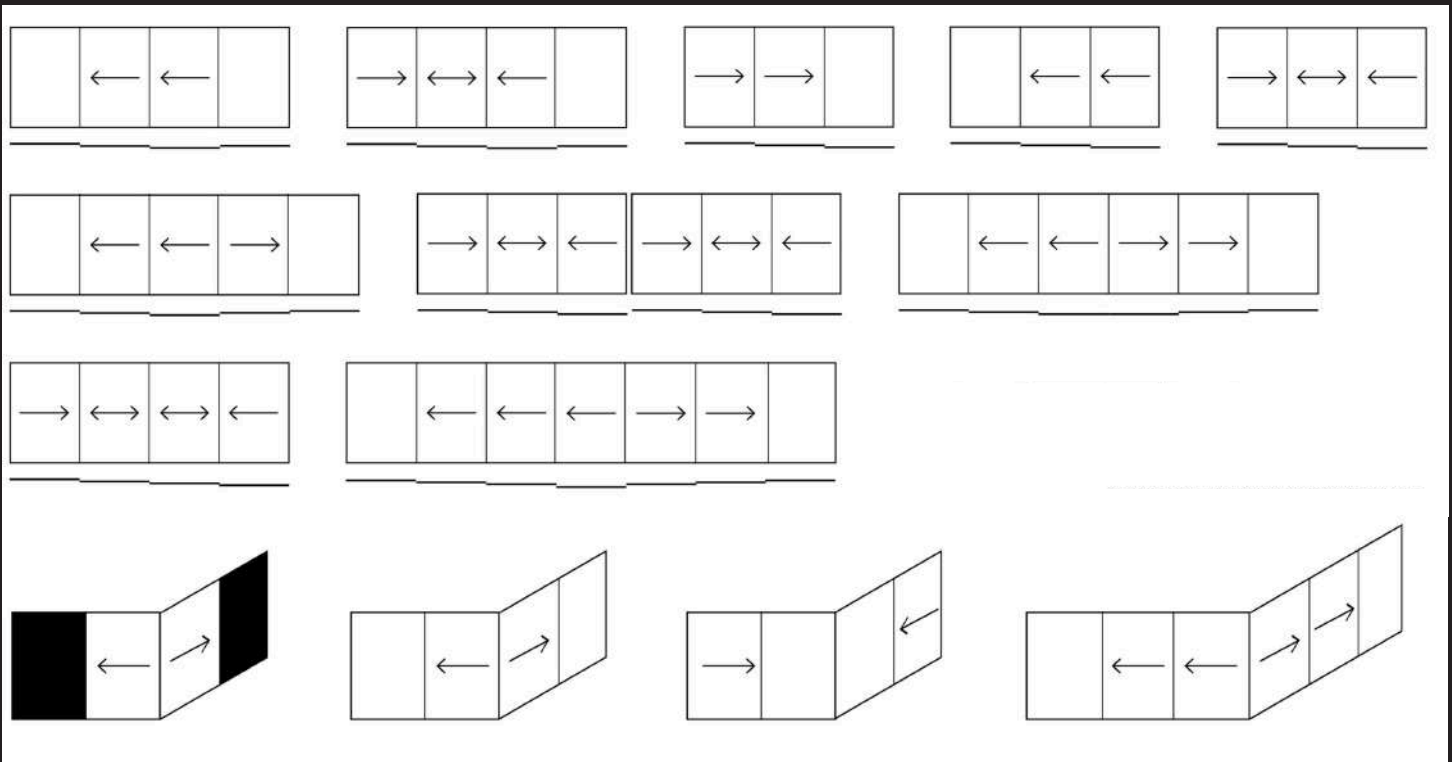
Thermeco Showroom

Opening Styles

Option for 1 / 2 / 3 / 4 tracks allows for numerous opening configurations which include:

- Stacking
- Bi-parting
- Cavity sliders

See some examples shown below:



15 Kelletts Road, Rowville
 3178, Victoria, Australia
 Phone: 03 9763 1089
 Fax: 03 9923 6263
windows@thermeco.com.au

Members of:

